



Antenna

Fixed

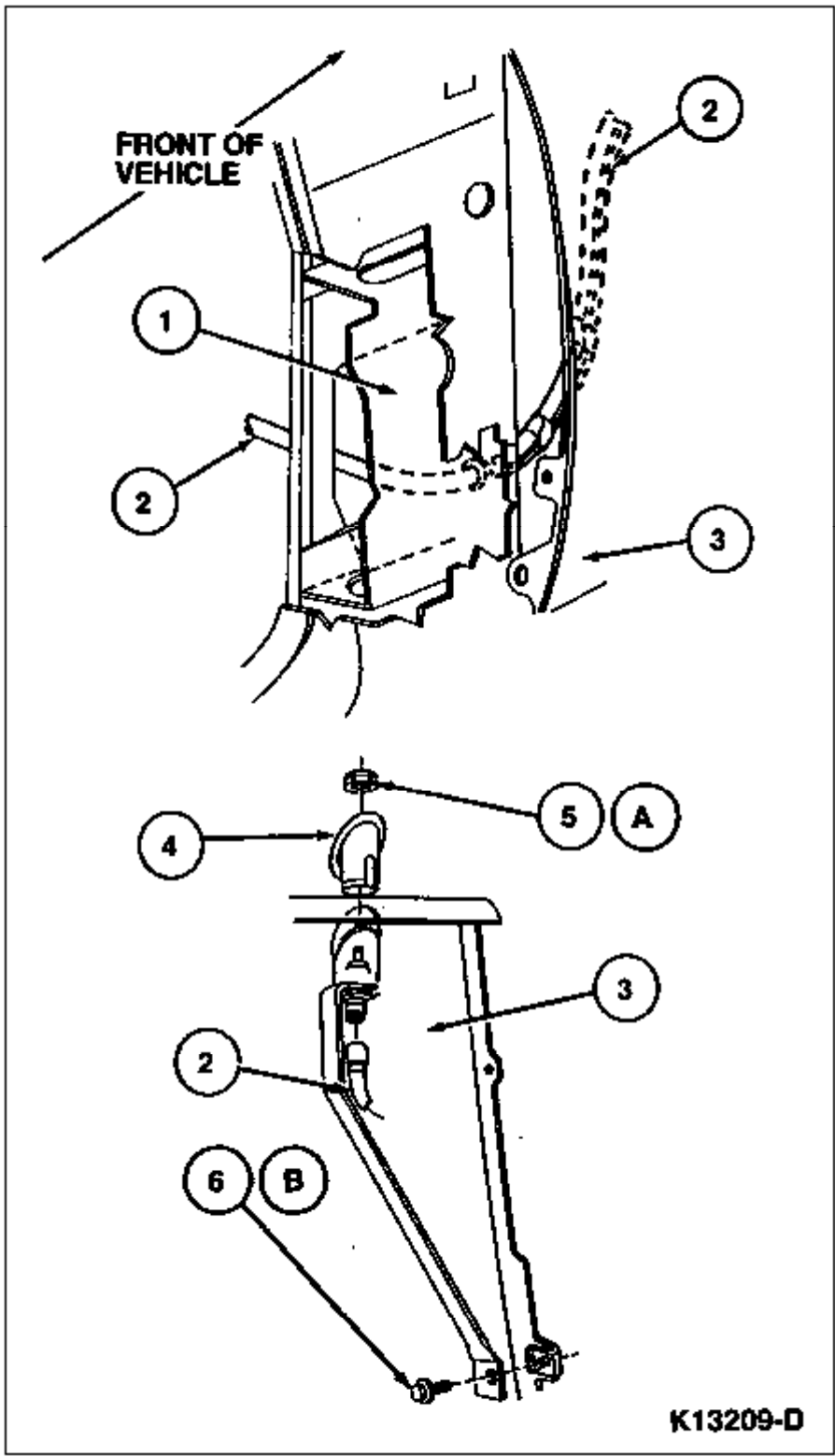
Removal

1. Detach holding straps from instrument panel (04320), and remove glove compartment.
2. Remove the RH cowl side trim panel (02344). Refer to [«Section 01-05»](#).
3. Remove antenna cable clip holding antenna lead to A/C evaporator housing (19850). Disconnect antenna from rear of radio chassis (18806).
4. Remove the radio antenna base cap (18A927) and antenna base retaining screw. Pull the cable through the holes in the door hinge pillar and front fender (16005) and remove the radio antenna base and cable (18A984) as an assembly.

Installation

1. With the RH front door (20124) open, position the radio antenna base and cable as an assembly in the fender opening, put the gasket in position on the antenna and install the antenna base to the front fender. Tighten screw to 5.8-7.8 N-m (52-69 lb-in). Tighten radio antenna nut (18865) to 5.2-7.2 N-m (47-63 lb-in).
2. Pull the radio antenna lead in cable (18812) through the door hinge pillar opening. Seat the grommet by pulling the cable through the hole from inside the vehicle.
3. Route the radio antenna lead in cable behind the A/C evaporator housing and attach locating clips. Connect to rear of radio chassis.
4. Install the cowl side trim panel. Refer to [«Section 01-05»](#).
5. Install glove compartment.

Antenna Cable Routing



K13209-D

Item	Part Number	Description
1	02500	Front Body Pillar
2	18B864	Radio Amplifier Wiring
3	16005	Front Fender
4	18919	Radio Antenna Stanchion

5	18865	Radio Antenna Nut
6	N606675-S36	Screw
A	--	Tighten to 5.2-7.2 N-m (47-63 Lb-In)
B	--	Tighten to 5.8-7.8 N-m (52-69 Lb-In)

Automatic Electric Antenna

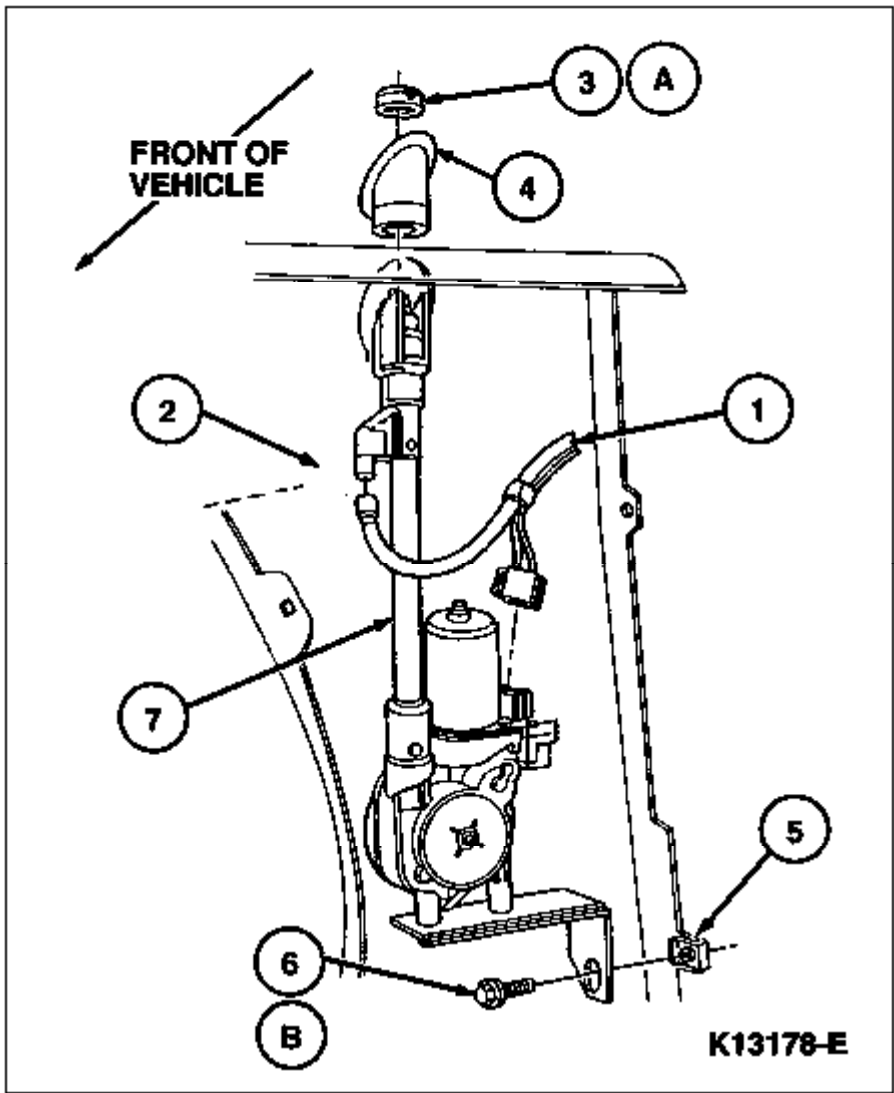
Removal

1. Lower electric antenna (18850).
2. Remove rear retaining screws of RH front wheel splash shield for access to antenna lower retaining bolt.
3. Remove lower retaining bolt.
4. Remove radio antenna nut from top of motor tube and remove electric antenna through fender/splash shield access.
5. Disconnect signal cable and motor wire connector(s).

Installation

1. To install, reverse Removal procedure.
2. Tighten top radio antenna nut to 5.2-7.2 N-m (47-63 lb-in).
3. Tighten lower electric antenna retaining bolt to 5.8-7.8 N-m (52-69 lb-in).
4. Check operation of electric antenna and radio chassis.

Automatic Electric Antenna



Item	Part Number	Description
1	18B864	Radio Amplifier Wiring
2	16098	RH Front Plate
3	18865	Radio Antenna Nut
4	18919	Radio Antenna Stanchion
5	N623332-S36	Nut
6	N606675-S36	Antenna Retaining Bolt
7	18850	Electric Antenna
A	--	Tighten to 5.2-7.2 N-m (47-63 Lb-In)
B	--	Tighten to 5.8-7.8 N-m (52-69 Lb-In)